

M1 ATTACK

PARTS LIST

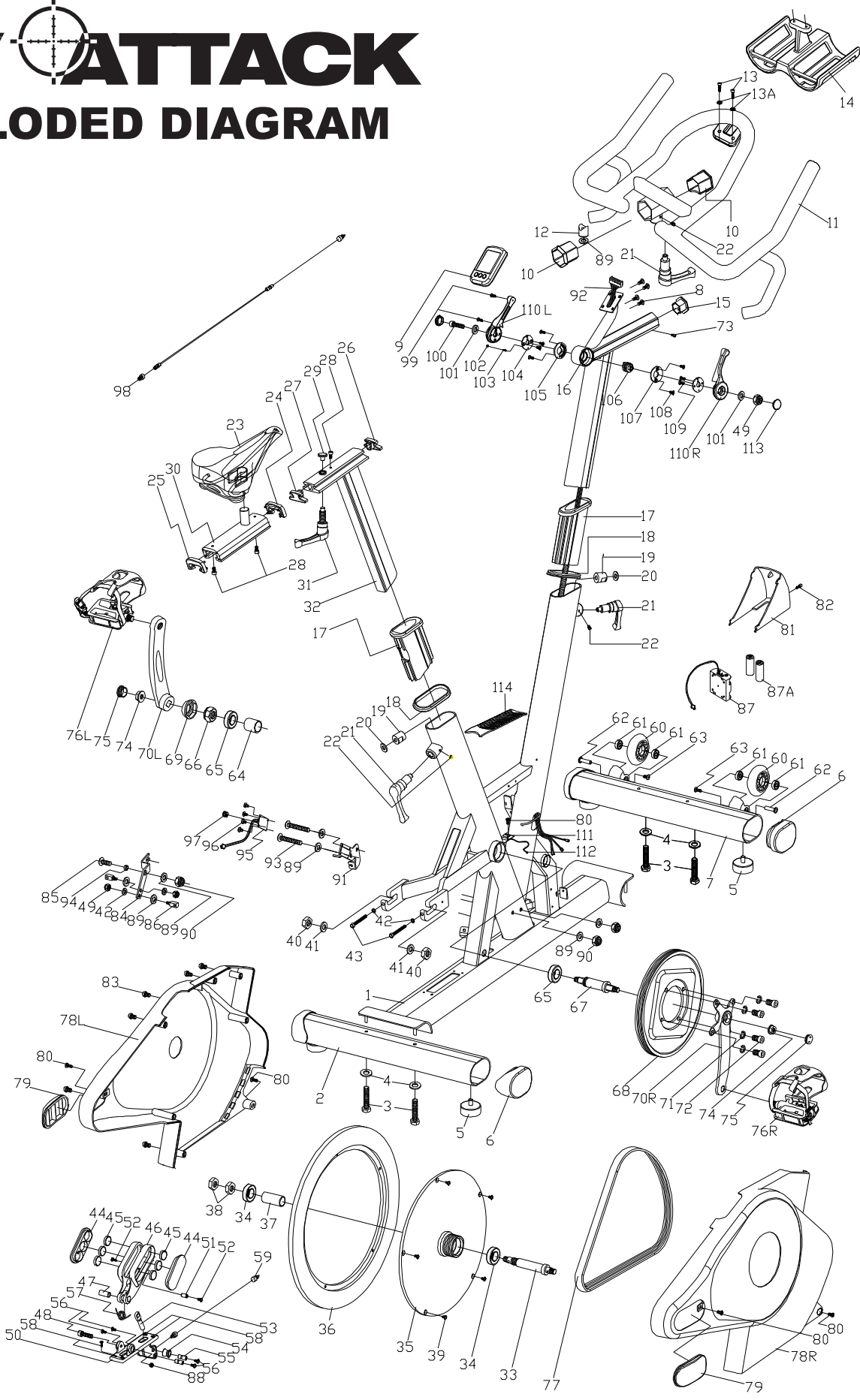
No.	Item/description	Unit	Qty	Remark
1	Frame	Kit	1	
2	Rear Ground Tube 60*86*3t*545l	Pcs	1	
3	Bolt M10xp1.5x30l	Pcs	4	Cp
4	Washer $\Psi 22 \times \Psi 10 \times 2t$	Pcs	4	Cp
5	Adjustable Foot Pad M10xp1.5	Pcs	4	
6	Foot Tube's End Cap 60x86	Pcs	4	
7	Front Foot Tube 60x86x3t*545l	Pcs	1	
8	Screw M5xp0.8x10l Stainless	Pcs	4	
9	Vortec #8109 Consol	Pcs	1	
10	Handlebar Sliding Tube's F/r Sleeve	Pcs	2	
11	Handlebar Set	Kit	1	
12	"V" Locking Piece 23*23l	Pcs	1	Stainless
13	Water Bottle Cage Fix Screw M5xp0.8*15l)	Pcs	2	Stainless
13a	Washer $\Psi 12 \times 5 \times 1t$	Pcs	2	
14	Steel Double Bottle Cage	Pcs	1	
15	Stem's Sliding Tube's Plastic End Cap	Pcs	1	
16	Stem	Kit	1	Alloy
17	Main Tube & seat Tube's Sleeve	Pcs	2	Bk
18	Main Tube's Seal Ring 40x97	Pcs	2	Bk
19	"V" Lock Piece $\Psi 23 \times 24l$	Pcs	2	
20	Washer $\Psi 22 \times \Psi 10 \times 2t$	Pcs	2	Cp
21	Main Tube & S/t's Lock Lever	Pcs	3	Cp
22	Set Screw M6xp0.8x8l W/ Locktile	Pcs	3	Cp
23	Saddle	Pcs	1	
24	Seat Post Upper Slider's End Cap	Pcs	1	Bk
25	Seat Post Bottom Slider's End Cap	Pcs	1	Bk
26	Stem Upper Slider's End Cap	Pcs	1	Bk
27	Stem Bottom Slider's End Cap	Pcs	1	Bk
28	Screw M6xp1.0x10l	Pcs	3	Stainless
29	Floating Piece $\Psi 22 \times \Psi 9.5 \times 15$	Pcs	1	Stainless
30	Rear Top Slider	Kit	1	Alloy
31	Lock Lever M12xp1.75x22l x $\Psi 8 \times 10l$	Pcs	1	
32	Seat Post	Kit	1	Alloy
33	Fly Wheel Axle $\Psi 25 \times \Psi 20 \times 155.5l$	Pcs	1	
34	Bearing 6004 Zz Skf	Pcs	2	
35	Cast Wheel $\Psi 359.8 \times \Psi 334.7 \times 86t \times 5pk$	Pcs	1	
36	Alloy Ring $\Psi 450 \times \Psi 360 \times 16t$	Pcs	1	
37	Fly Wheel Axle's Sleeve $\Psi 24 \times \Psi 20.1 \times 56l$	Pcs	1	Cp
38	Nut M17xp1.0x8t	Pcs	2	Cp
39	Screw M5xp0.8x10l	Pcs	5	Black
40	Nut M12xp1.25x9t	Pcs	2	Cp

No.	Item/description	Unit	Q'ty	Remark
41	Washer $\Psi 27 \times \Psi 13 \times 3t$	Pcs	2	Cp
42	Washer $\Psi 10 \times \Psi 6 \times 1t$	Pcs	4	Ucp
43	Bolt M6xp1.0x50l	Pcs	2	
44	Cover For Magnet's Bass:31x88.7x2t	Kit	2	
45	Magnet $\Psi 25 \times 10t$,identify : + - Pole .	Pcs	6	
46	Plastic Bass For Magnet Set	Kit	1	
47	Magnet's Set Inner Sleeve .	Pcs	1	Stainless
48	Screw M6xp1.0x35l	Pcs	1	Stainless
49	Nut W/nylon Insert M6xp1.0	Pcs	2	Cp
50	Magnet's Set Fix Plate	Pcs	1	Nylon
51	Sleeve $\Psi 8 \times 15l$	Pcs	1	Stainless
52	Screw M5xp0.8x6l	Pcs	2	Stainless
53	Cable Connecting Bar $\Psi 10 \times 54$.	Pcs	1	Stainless
54	Pully $\Psi 18 \times \Psi 9.5 \times 13.7l$	Pcs	1	Ucp
55	Spring Fixing Axle $\Psi 9 \times 20l$.	Pcs	2	Cp
56	Screw M5xp0.8x5l	Pcs	4	Cp
57	Rebound Spring .	Pcs	1	
58	Screw M5xp0.8x15l	Pcs	4	Stainless
59	Adjusting Wire For Tune Adjustment .	Kit	1	
60	Pumoving Wheel $\Psi 76 \times 24t \times 85a$ Hardness.	Pcs	2	
61	Bearing 608zz	Pcs	4	
62	Nut $\Psi 8 \times 30l$	Pcs	2	Cp
63	Screw M6xp1.0x12l.	Pcs	2	Cp
64	B.B Sleeve $\Psi 24 \times \Psi 20.1 \times 23.1l$	Pcs	1	Ucp
65	Bearing 6204 Zz Skf	Pcs	2	
66	Nut W/nylon Insert M20xp1.0	Pcs	1	Bk
67	B.B Axle $\Psi 25 \times \Psi 20 \times 141.5l$.	Pcs	1	
68	Belt Pully $\Psi 265 \times 5pk$.	Pcs	1	Bk
69	Bb Axle's Dusty Cover	Pcs	1	Bk
70l	Crank For Left Side.	Pcs	1	
70r	Crank For Right Side .	Pcs	1	
71	Spring Washer $\Psi 10$	Pcs	4	Cp
72	Screw M10xp1.5x15l	Pcs	4	Stainless
73	Alen Key Bolt M5* $p0.8 \times 10l$	Pcs	1	
74	Flange Nuty M10xp1.25x7t	Pcs	2	Bk
75	Dusty Cover	Pcs	2	Bk
76l	5/8" Wpd-e003 Dual Sided Pedals	Pcs	1	
76r	5/8" Wpd-e003 Dual Sided Pedals	Pcs	1	
77	Belt 5pk(1180)	Pcs	1	
78l	Left Out Cover	Pcs	1	Bk,abs
78r	Right Out Cover	Pcs	1	Bk,abs
79	Pop Cover	Pcs	2	Tpr
80	Screw M5xp0.8x10l	Pcs	5	Bk

NO.	Item/Description	Unit	Q'ty	Remark
82	Screw M6×P1.0×10L	PCS	1	Stainless
83	Screw M5×P0.8×15L	PCS	6	Stainless
84	RV adjusting lever 3t	PCS	1	UCP
85	Alen bolt M8×P1.25×20L	PCS	1	UCP
86	Adjustment's Bolt M6×9.5×31.7L	PCS	2	UCP
87	Battery case	PCS	1	Plastic
87A	Battery	PCS	2	
88	Nut w/Nylon Insert M6×P1.0	PCS	1	CP
89	Washer ψ 16× ψ 8.5×1.5t	PCS	8	UCP
90	Nut W/Nylon Insert M8×P1.25	PCS	3	UCP
91	RV fix bracket 3t	PCS	1	UCP
92	Console's connect wire	PCS	1	UCP
93	Screw M8×P1.25×60L	PCS	2	UCP
94	Inner Sleeve ψ 12× ψ 8.5×4t	PCS	2	UCP
95	VR w/cable	PCS	1	
96	VR fix screw	KIT	4	
97	sleeve 12*15,2*8L	pc	1	
98	Adjusting wire	PCS	1	
99	Screw M2.5*15L	PCS	2	CP
100	Alen bolt M6*1.0*40L	PCS	1	CP
101	Washer 20*6.5*2t	PCS	2	CP
102	Spring 4*9L*3	PCS	1	CP
103	lock pin 4*2.6*2*10L	PCS	1	CP
104	Cable roller's fixing washer	PCS	2	UCP
105	Left roller's fixing plate	PCS	1	UCP
106	Cable pulling roller	PCS	1	BIK
107	Right roller's fixing plate	PCS	1	UCP
108	Screw M4×P0.7×8L	PCS	4	UCP
109	Screw M3×10L	PCS	4	UCP
110L	Resistance left side adjusting lever	PCS	1	Plastic
110R	Resistanceright side adjusting lever	PCS	1	Plastic
111	Sensor fixing bracket for SR212	PCS	1	
112	Sensor w/Cable: ψ 6×300L×46mm(2PIN)	PCS	1	
113	Plastic end seal cover	pcs	2	Plastic
114	Top tube's protector	PCS	1	Plastic

M1 ATTACK

EXPLODED DIAGRAM



M/ **ATTACK**

NOTES